

SPECIFICATIONS

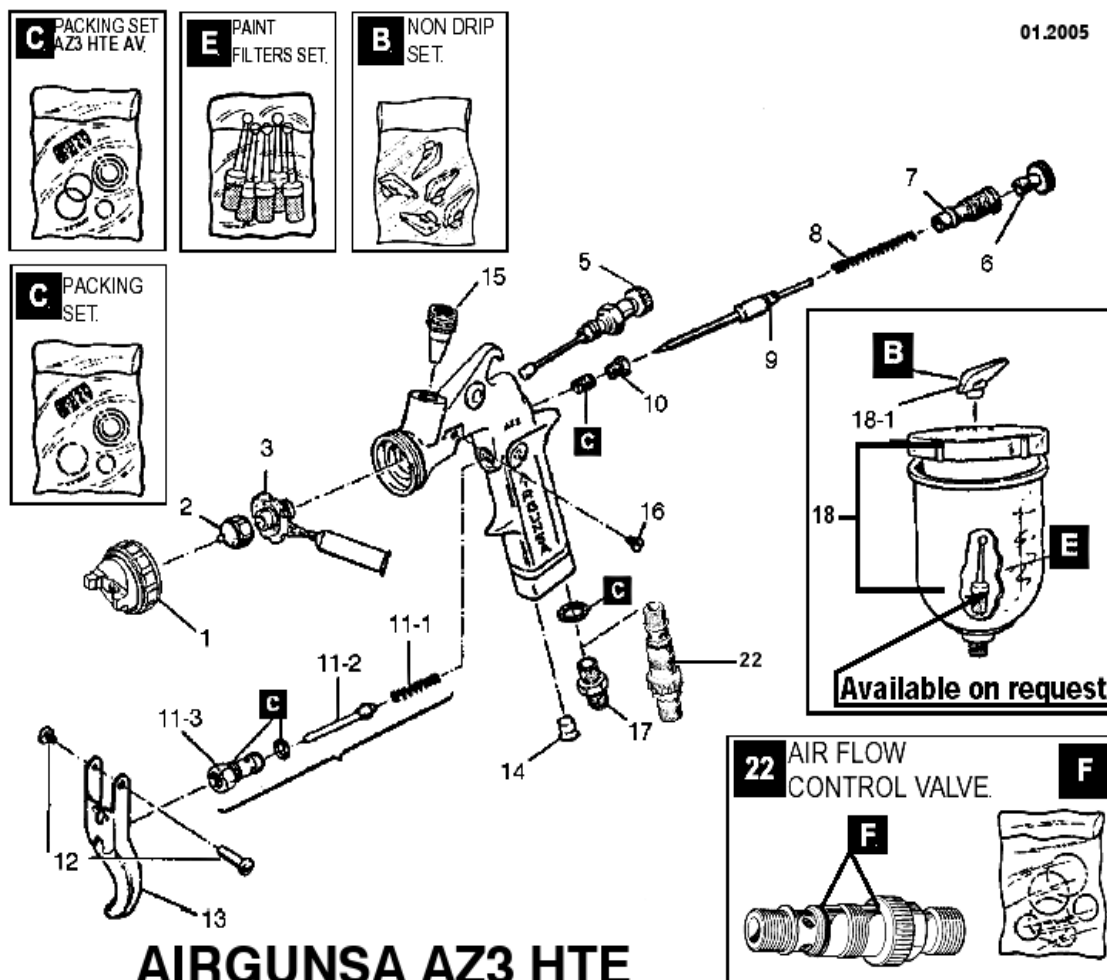
Prepared on:
June 15, 2005



Updated on:
June 15, 2005

Page 1 of 2

**Product name: AIRGUNSA AZ3 HTE Spray Gun
design, spare parts and operating parts**



AIRGUNSA AZ3 HTE

APP CODE	AIR GUNSA CODE	No.	NAME
160706	W0018600010		AirGunsA air gun with air flow control AZ-3-HTE AV d1.0-upper tank
160707	W0018600013		AirGunsA air gun with air flow control AZ-3-HTE AV d1.3-upper tank
160708	W0018600015		AirGunsA air gun with air flow control AZ-3-HTE AV d1.5-upper tank
160709	W0018600018		AirGunsA air gun with air flow control AZ-3-HTE AV d1.8-upper tank
160710	W0018600020		AirGunsA air gun with air flow control AZ-3-HTE AV d2.0-upper tank
160711	W0018600025		AirGunsA air gun with air flow control AZ-3-HTE AV d2.5-upper tank
160712	W0018600028		AirGunsA air gun with air flow control AZ-3-HTE AV d2.8-upper tank
160713	W0018600030		AirGunsA air gun with air flow control AZ-3-HTE AV d3.0-upper tank
160714	W0018600035		AirGunsA air gun with air flow control AZ-3-HTE AV d3.5-upper tank
639260	W0012820100	18	Dripping tank AZ3 HTE 600 ml
639262	W2COM1008	18-1	Tank cover with vent AZ3 HTE
	W2KIT07	B	Tank vent AZ
639201	W2KIT06	E	Paint filter for gravity gun AZ

The above information complies with the current knowledge on our products and their possible applications.

**Auto Plast Produkt Sp. z o.o. [Ltd.] 62-300 Września, ul. Przemysłowa 10, Poland
tel. + 48(prf)61 437 00 00**

SPECIFICATIONS

Prepared on:
June 15, 2005



Updated on:
June 15, 2005

Page 2 of 2

**Product name: AIRGUNSA AZ3 HTE Spray Gun
design, spare parts and operating parts**

APP CODE	AIR GUNSA CODE	No.	NAME
639202	W2010135110	1	Head AZ3 HTE d1.0
639203	W2010135113	1	Head AZ3 HTE d1.3
639204	W2010135115	1	Head AZ3 HTE d1.5
639205	W2010135118	1	Head AZ3 HTE d1.8
639206	W2010135120	1	Head AZ3 HTE d2.0
639207	W2010131400	1	Head AZ3 HTE d2.5
639208	W2010133300	1	Head AZ3 HTE d2.8
639209	W2010131500	1	Head AZ3 HTE d3.0
639210	W2010131600	1	Head AZ3 HTE d3.5
639222	W2010133500	2+9	Nozzle + needle AZ3 HTE d1.0
639223	W2010133600	2+9	Nozzle + needle AZ3 HTE d1.3
639224	W2010133700	2+9	Nozzle + needle AZ3 HTE d1.5
639225	W2010133800	2+9	Nozzle + needle AZ3 HTE d1.8
639226	W2010133900	2+9	Nozzle + needle AZ3 HTE d2.0
639227	W2010134000	2+9	Nozzle + needle AZ3 HTE d2.5
639228	W2010134300	2+9	Nozzle + needle AZ3 HTE d2.8
639229	W2010134100	2+9	Nozzle + needle AZ3 HTE d3.0
639230	W2010134200	2+9	Nozzle + needle AZ3 HTE d3.5
639240	W2010140200	3	air guide ring AZ3 HTE
639258	W2013030100	5	jet width regulator AZ3 HTE
639256	W2010141000	6	needle knob AZ3 HTE
	W2010140900	7	pilot and sealing sleeve
639254	W2010140800	8	needle spring AZ3 HTE
639244	W2010140600	10	needle seal clamp AZ3 HTE
639246	W2010120100	11	air valve AZ3 HTE - set
639250	W2010141700	11-1	air valve spring AZ3 HTE
639248	W2010130600	11-2	air valve AZ3 THE
639252	W2010130500	11-3	air valve guide AZ3 HTE
	W2COM4001	12	release trigger pin with blocking
	W2010141100	13	release trigger
	W2COM6003	14	plug AZ3 HTE
639259	W2013040100	15	paint tank terminal AZ3 HTE
	W2COM5004	16	screw AZ
	W2COM5000	17	air inlet terminal G1/4" M AZ3 HTE
639242	W2503001600	C	gaskets AZ3 HTE - set
639243	W2503001700	C	gaskets AZ3 HTE AV - set
	W2KIT05	F	gaskets for air flow regulator AZ AV - set
639264	W2KIT02	G	set of brushes AZ
639266	W2503500100	H	key for air guide ring AZ3
639253	W2SUB6007	22	air flow regulator AZ AV

The above information complies with the current knowledge on our products and their possible applications.

**Auto Plast Produkt Sp. z o.o. [Ltd.] 62-300 Września, ul. Przemysłowa 10, Poland
tel. + 48(prf)61 437 00 00**