

SPECIFICATIONS

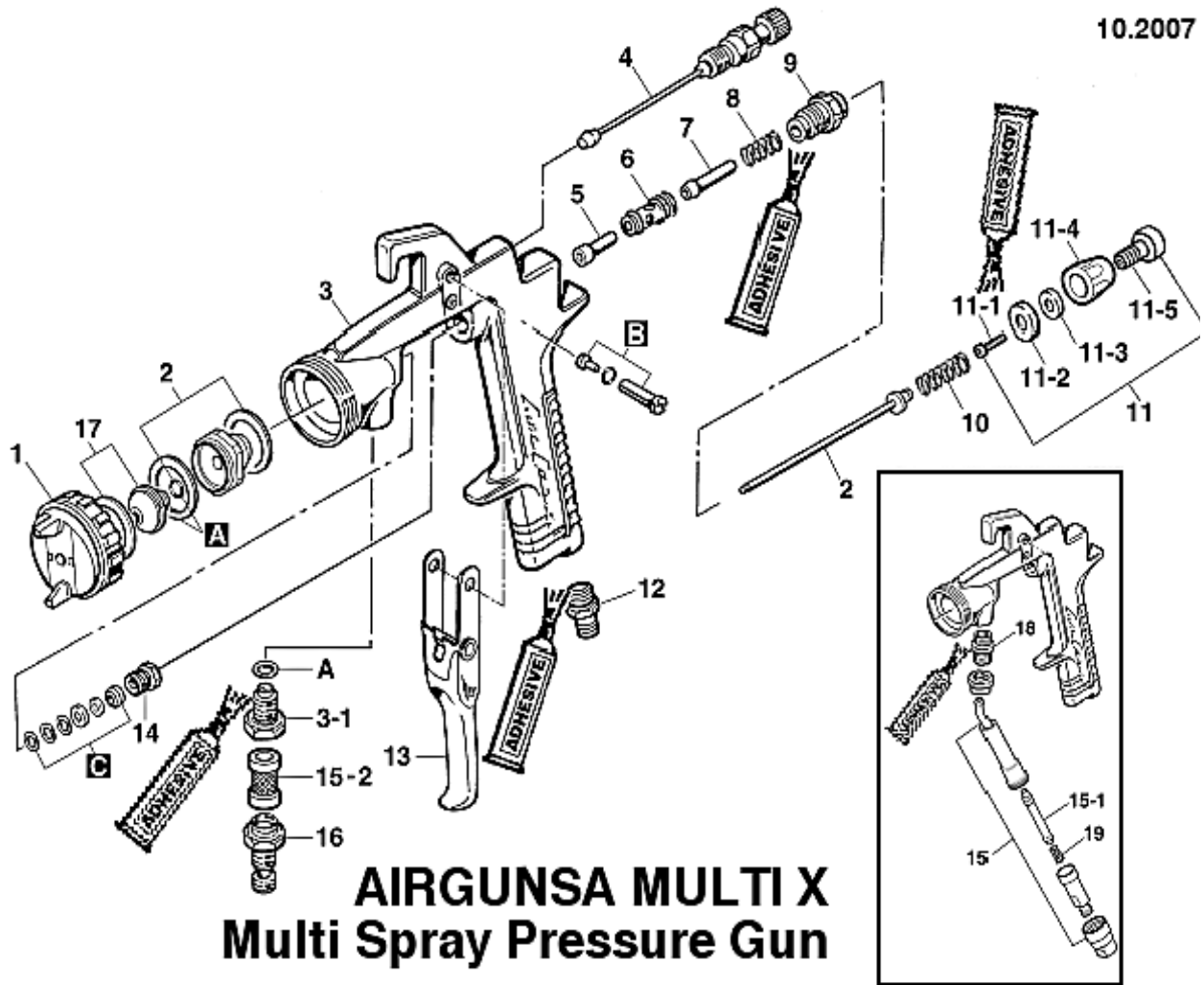
Prepared on:
October 18, 2007



Updated on:
October 18, 2007

Page 1 of 3

Product name: AIRGUNSA MULTI X Spray Gun
Air Assisted Airless Spray Gun
design, spare parts and operating parts



AIRGUNSA MULTI X
Multi Spray Pressure Gun

APP CODE	AIR GUNSA CODE	No.	NAME
160885	W0SPG50AG10C		Multi Spray MULTI X air gun with short paint filter without nozzle
160888	W0SPG51AG10C		Multi Spray MULTI X air gun with long paint filter without nozzle

The above information complies with the current knowledge on our products and their possible applications.

Auto Plast Produkt Sp. z o.o. [Ltd.] 62-300 Września, ul. Przemysłowa 10, Poland
tel. + 48(prf)61 437 00 00

SPECIFICATIONS

Prepared on:
October 18, 2007



Updated on:
October 18, 2007

Page 2 of 3

**Product name: AIRGUNSA MULTI X Spray Gun
Air Assisted Airless Spray Gun
design, spare parts and operating parts**

APP CODE	AIR GUNSA CODE	No.	NAME
639710	W2TIP0725		Nozzle MULTI X d.007"/25°/10-14cm/17 6-220ml/min
639711	W2TIP0735		Nozzle MULTI X d.007"/35°/12-16cm/17 6-220ml/min
639712	W2TIP0740		Nozzle MULTI X d.007"/40°/14-18cm/17 6-220ml/min
639714	W2TIP0920		Nozzle MULTI X d.009"/20°/10-14c m/24 0-300ml/min
639715	W2TIP0940		Nozzle MULTI X d.009"/40°/14-18c m/24 0-300ml/min
639716	W2TIP0950		Nozzle MULTI X d.009"/50°/18-22c m/24 0-300ml/min
639717	W2TIP0965		Nozzle MULTI X d.009"/65°/22-26c m/24 0-300ml/min
639719	W2TIP1125		Nozzle MULTI X d.011"/25°/10-14c m/30 0-380ml/min
639720	W2TIP1140		Nozzle MULTI X d.011"/40°/14-18c m/30 0-380ml/min
639721	W2TIP1150		Nozzle MULTI X d. 011"/50°/18-22 cm/30 0-380ml/min
639722	W2TIP1165		Nozzle MULTI X d. 011"/65°/22-26 cm/30 0-380ml/min
639724	W2TIP1325		Nozzle MULTI X d.013"/25°/10-14c m/48 0-560ml/min
639725	W2TIP1340		Nozzle MULTI X d.013"/40°/14-18c m/48 0-560ml/min
639726	W2TIP1350		Nozzle MULTI X d.013"/50°/18-22c m/48 0-560ml/min
639727	W2TIP1365		Nozzle MULTI X d.013"/65°/22-26c m/48 0-560ml/min
639729	W2TIP1515		Nozzle MULTI X d.015"/15°/08-12c m/62 0-700ml/min
639730	W2TIP1525		Nozzle MULTI X d.015"/25°/10-14c m/62 0-700ml/min
639731	W2TIP1540		Nozzle MULTI X d.015"/40°/14-18c m/62 0-700ml/min
639732	W2TIP1550		Nozzle MULTI X d.015"/50°/18-22c m/62 0-700ml/min
639733	W2TIP1565		Nozzle MULTI X d.015"/65°/22-26c m/62 0-700ml/min
639735	W2TIP1825		Nozzle MULTI X d.018"/25°/10-14c m/10 00-1060ml/min
639736	W2TIP1840		Nozzle MULTI X d.018"/40°/14-18c m/10 00-1060ml/min
639737	W2TIP1850		Nozzle MULTI X d.018"/50°/18-22c m/10 00-1060ml/min
639740	W2CAP51AG10	1	head MULTI X
639742	W2DU50AG	2	nozzle coupling MULTI X
639744	W4SUB50AG	3	body MULTI X
639746	W2COM5021	3-1	filter coupling F MULTI X
639748	W2PAT50AG	4	jet width regulator MULTI X
639750	W2COM4019	5	air valve pusher MULTI X
639752	W4SUB6036	6	air valve seat MULTI X
639754	W2COM2044	7	air valve MULTI X
639756	W2COM6001	8	air valve spring MULTI X
639758	W2SUB6029	9	pilot and sealing sleeve MULTI X
639760	W2COM6028	10	needle spring MULTI X
639762	W2SUB2028	11	needle regulator set MULTI X
639764	W2COM6031	11-1	hexagon socket head cap screw MULTI X
639766	W2COM3032	11-2	spring seat 2 MULTI X
639768	W2COM3031	11-3	spring seat seal MULTI X

The above information complies with the current knowledge on our products and their possible applications.

**Auto Plast Produkt Sp. z o.o. [Ltd.] 62-300 Września, ul. Przemysłowa 10, Poland
tel. + 48(prf)61 437 00 00**

SPECIFICATIONS

Prepared on:
October 18, 2007



Updated on:
October 18, 2007

Page 2 of 3

**Product name: AIRGUNSA MULTI X Spray Gun
Air Assisted Airless Spray Gun
design, spare parts and operating parts**

APP CODE	AIR GUNSA CODE	No.	NAME
639770	W2COM3029	11-4	spring grip MULTI X
639772	W2COM3030	11-5	spring regulator MULTI X
639690	W2COM5000	12	air inlet terminal G1/4" M AZ
639774	W3SUB6043	13	release trigger set MULTI X
639776	W2COM2040	14	needle seal with clamp MULTI X
639778	W2COM1017	15	paint filter body (long) - set MULTI X
639780	VFM2006	15-1	paint filter 200 MESH long (MULTI X STANDARD)
639782	VFM2004	15-1	paint filter 100 MESH long (MULTI X OPTION)
639784	VFM2003	15-1	paint filter 65 MESH long (MULTI X OPTION)
639786	VFM2803	15-2	paint filter 200 MESH short (MULTI X STANDARD)
639788	VFM2802	15-2	paint filter 100 MESH short (MULTI X OPTION)
639779	VFM2801	15-2	paint filter 60 MESH short (MULTI X OPTION)
639792	W2COM5022	16	filter coupling M with paint connection terminal 1/4" M MULTI X
639794	W2COM5025	18	long filter coupling MULTI X
639796	W2COM1018	19	long filter spring MULTI X
639797	W2KIT23	A	gaskets MULTI X - set
639798	W2KIT24	B	release trigger pin with blocking MULTI X
639799	W2KIT22	C	needle seal set MULTI X

The above information complies with the current knowledge on our products and their possible applications.

**Auto Plast Produkt Sp. z o.o. [Ltd.] 62-300 Września, ul. Przemysłowa 10, Poland
tel. + 48(prf)61 437 00 00**